

## DLW-HD CLAMSHELL PIPE COLD CUTTER



Type DLW-HD

The clamshell pipe cold cutters are designed for heavy wall pipes with large diameters. The split frame pipe cutter can be used in confined work spaces for various applications.

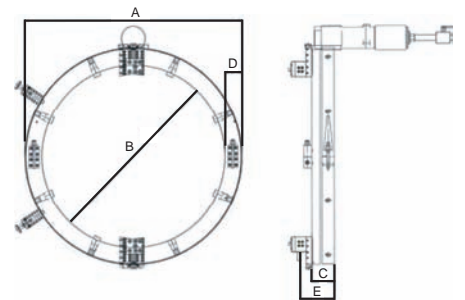
# TECHNICAL DATA

## DLW-HD clamshell pipe cutter machine

### Field of application of cold cutters

The DLW pipe cold cutter for steel pipe machining of pipes in-situ is able to perform bevel and cutting of steel pipes as well as stainless steel pipes and high alloyed steels. The machines are reduced in weight and dimensions. The clamshell pipe cutter is available from 48 - 72" and can do all kind of pipe weld preparation by use of different tools.

- Split-Frame technology for endless steel pipes
- Extremely low weight of pipe cutter machine
- Quick and safe clamping and adjusting of pipe cutter
- Reduced space requirement of clamshell cutter
- Most precise operation for pipe welding
- Pipe cold cutter operation
- High productivity of portable clamshell
- Perfect weld preparation
- No heat affected zone (HAZ) in pipeline welding



Type	A (mm)	B (mm)	C (mm)	D (mm)	E (mm)	weight (kg)	Ø (inch)		Ø (mm)		max. WT (mm)
							up	to	up	to	
DLW-HD 53	1609,7	1371,6	158,8	119,1	215,9	314	41	53	1041,4	1346,2	100
DLW-HD 55	1660,5	1422,4	158,8	119,1	215,9	325	43	55	1092,2	1397	100
DLW-HD 57	1711,3	1473,2	158,8	119,1	215,9	333	45	57	1143	1447,8	100
DLW-HD 60	1793,9	1549,4	158,8	119,1	215,9	377	48	60	1219,2	1524	100
DLW-HD 66	1946,3	1701,8	158,8	119,1	215,9	405	54	66	1371,6	1676,4	100
DLW-HD 72	2098,7	1854,2	158,8	119,1	215,9	432	60	72	1524	1828,8	100



# OPERATIONS & OPTIONS DLW COLD CUTTER

## Field of application :

- Radial cold cut of pipe
- Beveling edges of pipes
- Simultaneous cutting & beveling

## Materials for cold cutters:

- Duplex
- Hastelloy
- Superduplex
- Stainless steel

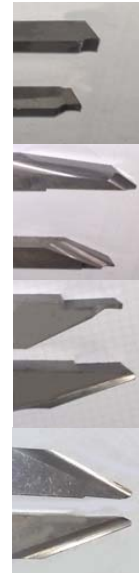
## Options drive:

- Hydraulic Motor (recommended)

## Pipe cold cut operations:

- Cold pipe cut
- Cold pipe bevel
- Simultaneous cutting & beveling<sup>(\*)</sup>
- Simultaneous cutting both pipe<sup>(\*)</sup>

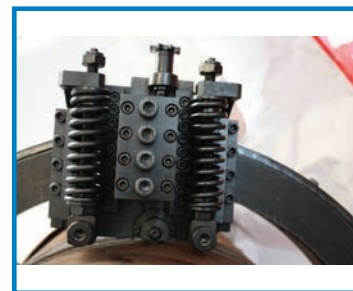
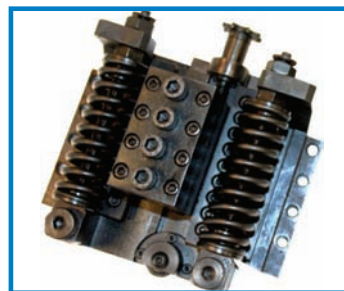
\* depending on wall thickness



## Spring load holder for clamshell cutter

### DLW-SLH-HD

The spring load holder DLW-SLH is used for cold pipe cut and bevel of out-of-round pipes. The internal springs support the feeding of cutting and beveling tools and provide an even cut for this application.



## Accessories hydraulic units



MHPUE130



MHPU130

### Technical Data

Type	Description	Dimension (mm)	Pumping volume	Oil tank volume	Control	Motor
MHPUE130	Mobile with electrical drive	1450x1050x750	38 cm <sup>3</sup> / r.p.m	150 ltr. nominal volume	hand lever	15 kw / 1500 r.p.m.
MHPU130	Mobile with gas drive	800x1380x1100	19 cm <sup>3</sup> / r.p.m.	150 ltr. nominal volume	hand lever	14 kw / 3600 r.p.m.

The DWT head office is located in the industrial heart of Germany. The sales and service team is available in 35 countries worldwide with direct sales offices in India, SEA, Brazil, Russia and Middle East



## CONTACT

### Head office:

#### DWT GmbH

Wilhelm-Tenhagen-Str. 5  
46240 Bottrop  
Tel: +49(0)2041-77144-0  
Fax: +49(0)2041-77144-99  
eMail: [info@dwt-gmbh.de](mailto:info@dwt-gmbh.de)

### Sales & Service office:

DWT India  
DWT Malaysia  
DWT China  
DWT Russia  
DWT Middle East

The information in this brochure are in commercial dealings no basis for warranty claims or contractual agreements concerning the described products, except, it is expressly purchase taken on the descriptions given here. Any such warranties or other items or conditions of sale of products shall be in accordance with DWT standard terms and conditions of sale for such products, which are available upon request. Product improvement is a continuing goal at DWT. Designs and specifications are subject to change without notice or obligation.