

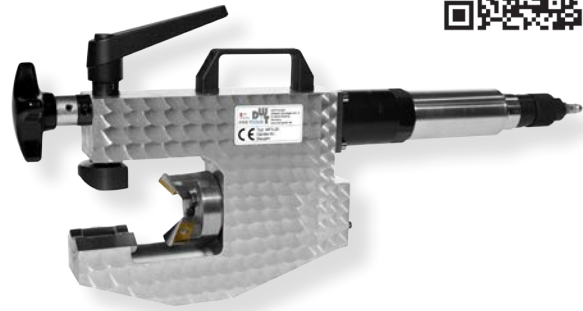
Video of application



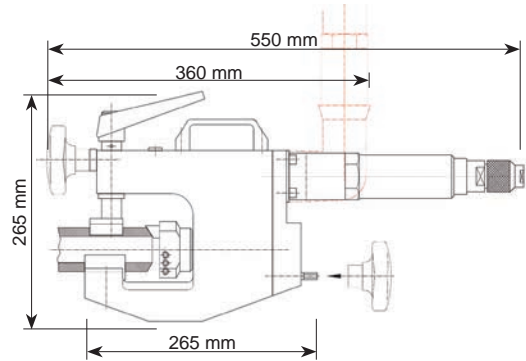
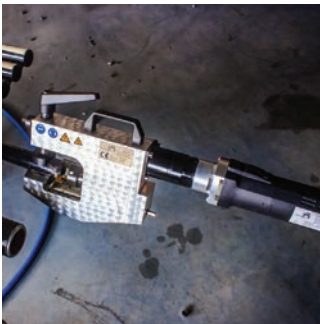
## Pipe beveler MF3-25

Clamping range OD-OD: 20 - 63,5 mm

The Pipe Beveler MF3-25 is used for the preparation of pipe ends, i.e. to cut edges at individual pipes or membrane walls. Next to its conventional design in which the motor and the milling spindle are arranged in line, the machine can be featured with an angular drive on request. Therefore, it can be used in different situations with limited space. Furthermore, the star wheel can be relocated as needed.



### Dimensions



machine width: 55 mm

### Specifications

Specifications MF3-25			Pneumatic Motor		
Working range ID-OD	12,5 - 63,5 mm	0,492 - 2,5"	Power	850 W	1,2 HP
Clamping range OD-OD	20 - 63,5 mm	0,787 - 2,5"	Air pressure	6 bar	87 psi
Max. wall-thickness	15 mm	0,59"	Air consumption	0,96 m <sup>3</sup> /min	33,9 cfm
Feed	25 mm	0,984"	Air hose connection	1/4"	1/4"
Weight with electric motor	9,6 kg	21,2 lb	Features	speed control	
Weight with pneumatic motor	8,4 kg	18,5 lb	Electric Motor		
Weld prep	facing, V-prep, J-prep, counter boring		Power consumption	1.500 W (110V/230V)	2,0 HP
Materials	steel, stainless steel, duplex, high alloyed		Features	restart and overload protection, speed adjustment, torque control	
Tooling	tool bits, TiN inserts, custom bits				
Machine body	Aluminium alloy				

### Accessories & additional options



Tools for MF4-R from page 48



Tube fin removal from page 48



Easy-to-fit Solutions



Angle drive