

## PIPE BEVELING MACHINE

Pipe beveling machines for weld edge prep

- High productivity
- High quality weld prep
- Accurate repetitive work
- Powerfull and durable
- Fast setup
- Less noise, dust and sparks
- Ergonomic

Video of application



MF2iw



Low weight



Perfect tooling



Strong motor



Long lifetime

# TECHNICAL DATA

## of pipe beveling machine MF2iw ID mount

### Field of applications



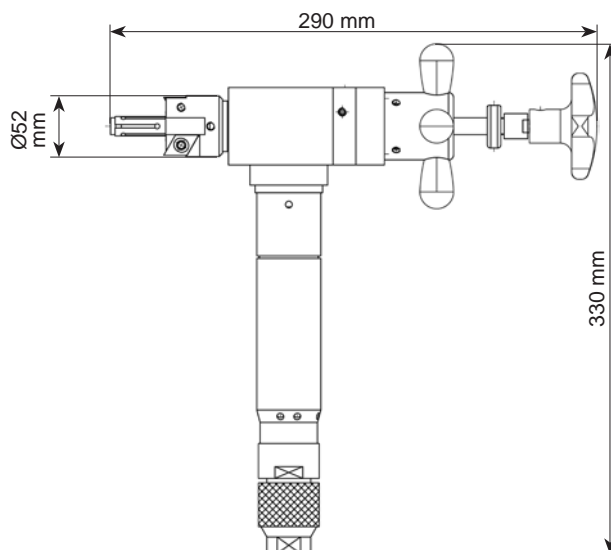
The pipe beveling machine is used for weld prep of tube and pipe end in pipe welding applications. Especially for heat exchanger repair the machining is fast and accurate. Pipe beveling and facing can be done in one operation with special tool holders. Operated by one worker the pipe beveling machine can be used in the workshop and on site with low weight due to aluminum construction. High speed beveling and facing with special tool bits provides economical manufacturing of pipes, tubes and headers.



### Specifications

Specifications MF2iw			Pneumatic Motor		
Clamping range ID-ID	11 - 22 mm	0,433 - 0,866"	Power	370 W	0,5 HP
Working range ID-OD	11 - 28 mm	0,433 - 1,102"	Air pressure	6 bar(g)	87 psi
Max. wall-thickness	3 mm	0,118"	Air consumption	0,60 m <sup>3</sup> /min	21,2 cfm
Feed	20 mm	0,787"	Air hose connection	1/4"	1/4"
Weight with pneumatic motor	2,7 kg	6,0 lbs	Features	speed control	
Weld prep	facing, V-prep,				
Materials	steel, stainless steel, duplex, high alloyed				
Tooling	tool bits, TiN inserts, custom bits				
Machine body	Aluminium alloy				

### Dimensions



machine width: 46 mm